

FRIGIDAIRE GALLERY

FGMV17WNV F/D CGMV17WNV F/D

Smudge-Proof
STAINLESS STEEL

Smudge-Proof
BLACK STAINLESS STEEL



AVAILABLE COLORS



Stainless

Black
Stainless

SIGNATURE FEATURES

Effortless Clean™ Interior

Easily wipe away and clean spills from your microwave with the Effortless Clean™ Interior surface.

LED Cooktop Lighting

Make meal preparation and cooking simple with LED lighting that offers a clear, bright view of your cooktop.

Sensor Cooking

Microwave automatically adjusts power levels and cooking times to cook a variety of items, effortlessly.

Over 30 Options

Versatile settings include: Chicken nuggets and snacks.

MICROWAVE

30" OVER-THE-RANGE

PRODUCT DIMENSIONS

Height 16-13/32"

Width 29-7/8"

Depth 15-1/32"

MORE EASY-TO-USE FEATURES

Over 30 Options

Versatile settings include: Chicken nuggets and snacks.

Effortless™ Reheat

Reheat almost anything at the touch of a button.

Interior LED Lighting

LED interior microwave light stays on while your dish cooks.

SpaceWise® Rack

Our SpaceWise® Rack creates more room so you can cook multiple dishes at once.

One-Touch Options

Our microwaves feature easy-to-use one-touch buttons so you can cook baked potatoes, popcorn or even add 30 seconds with the touch of a button.

Smudge-Proof® Stainless Steel¹

Resists fingerprints and cleans easily.

Extra-Large 13-1/2" Diameter Glass Turntable

Big bowls and large casserole dishes are no problem for our extra-large glass turntable. It rotates for even cooking.

FGMV17WNV F/D | CGMV17WNV F/D MICROWAVE

30" OVER-THE-RANGE

FRIGIDAIRE
GALLERY

FEATURES

Control/Timing System	Ready-Select®
Exterior Door Finish	Smudge-Proof® Stainless, Smudge-Proof® Black Stainless
Handle Design	Smudge-Proof™ Stainless, Smudge- Proof™ Black Stainless
Microwave Capacity (Cu.Ft.)	1.7
Watts (IEC-705 Test Procedure)	1,000
Interior LED Light	Yes
Interior Color	White
Turntable Diameter	13-1/2"
Turntable On/Off	Yes
Control Lock	Yes
Clock	Yes
Touch Pad Buttons	27
Power Levels	High (1-9)
Sound Level Options	4
Accessory Metal Rack	Yes (1)

MICROWAVE CONTROL OPTIONS

Popcorn Button	Yes
Potato Button	Yes
Sensor Reheat Button	Yes
Melt & Soften Options	4
Veggies Button	Yes
Snacks Button	Yes
Auto Defrost Options	3
Multi-Stage Cooking Option	Yes (Fresh/Frozen)
Keep Warm	
Add-30-Seconds	Yes
Sensor Cooking Options	Yes - 4
Vegetable Cook Sensor	Yes
Quick Start	Yes (1-9)
Delay Start	
User Preferences	Yes
Power Save (No Clock Display)	Yes

VENTILATION SYSTEM

Ducted / Ductless Installation Option	Yes
Exhaust Fan (CFM)	2-Speed 105 / 300
Amps @ 120 Volts	Cooktop Light
Auto-Start Heat Sensor	Yes
Dishwasher-Safe Vent Filter (Ductless Installation)	Yes

POWER RATINGS

Frequency (MHz)	2,450
Watts @ 120 Volts	1,000
Amps @ 120 Volts	14.2

SPECIFICATIONS

Oven Interior (HxWxD)	9-7/16" x 20-15/16" x 14-13/32"
Power Supply Connection Location	Right Top Rear
Voltage Rating	120V / 60Hz / 15A
Connected Load (kW Rating) @ 120 Volts ¹	1.6
Minimum Circuit Required (Amps)	15
Shipping Weight (Approx.)	62

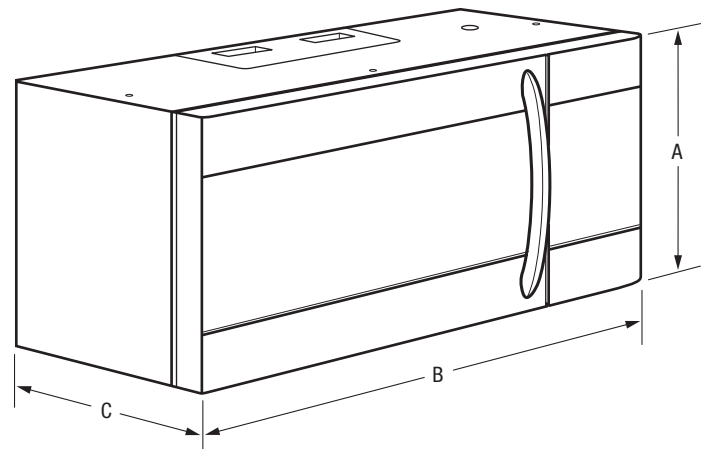
¹For use on adequately wired 120V, dedicated circuit having 2-wire service with a separate ground wire. Appliance must be grounded for safe operation.

PRODUCT DIMENSIONS

A - Height	16-13/32"
B - Width	29-7/8"
C - Depth	15-1/32"

CUTOUT DIMENSIONS

Height (Min. from floor to top of unit)	66"
Width (Min.)	30"
Depth (Min.)	12"
Depth (Max.)	13"



Note: For planning purposes only. Always consult local and national electric, gas and plumbing codes. Refer to Product Installation Guide for detailed installation instructions on the web at frigidaire.com.

Specifications subject to change. Accessories information available on the web at frigidaire.com

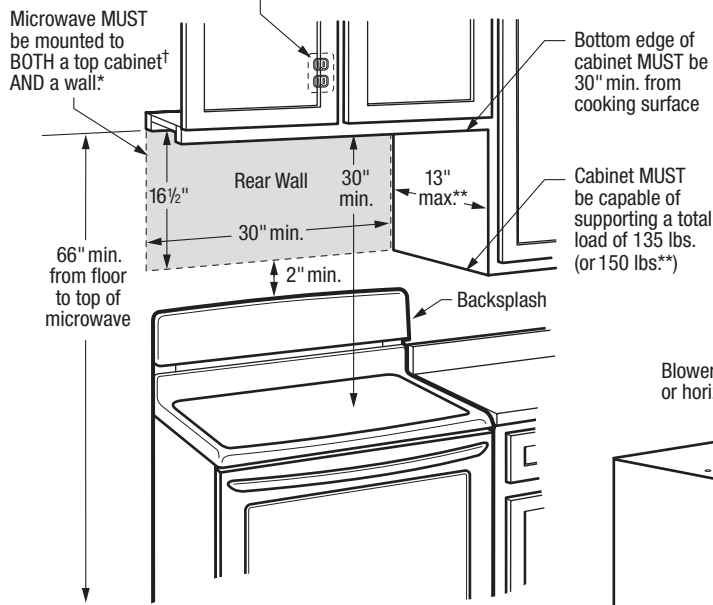
FRIGIDAIRE

USA • 10200 David Taylor Drive • Charlotte, NC 28262 • 1-800-FRIGIDAIRE • frigidaire.com
CANADA • 5855 Terry Fox Way • Mississauga, ON L5V 3E4 • 1-800-265-8352 • frigidaire.ca

FGMV17WNV / CGMV17WNV 03/19
©2019 Electrolux Home Products, Inc.



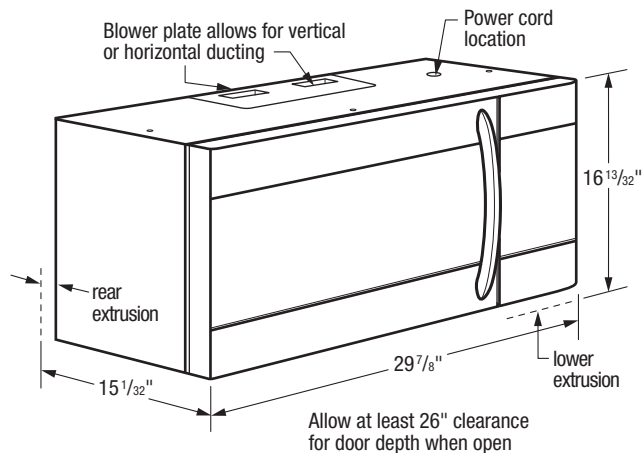
Locate 120V/60Hz grounded outlet inside upper cabinet



†When installing beneath smooth, flat cabinets, refer to cabinet template for detailed power cord clearance instructions

*Can NOT be installed in island or peninsula cabinet arrangements

**If cabinet depth (including doors) is deeper than 13"; unit MUST be spaced out from rear wall using adequate materials (supporting 150 lbs.) to allow proper top vent air exhaust/intake



INSTALLATION SPECIFICATIONS

- Product Shipping Weight (approx.) – 62 Lbs.
- Voltage Rating – 120V / 60 Hz / 15 Amps
- Connected Load (kW Rating) @ 120 Volts = 1.6 kW (For use on adequately wired 120V, dedicated circuit having 2-wire service with a separate ground wire. Appliance must be grounded for safe operation.)
- Amps @ 120 Volts = 14.2 Amps
- Always consult local and national electric codes.
- Grounded outlet should be located in cabinet above, with hole in base to route power cord. Carefully follow top template instructions for power cord clearance when installing beneath smooth, flat cabinets.
- Microwave's exhaust ventilation system is preset to recirculate air inside with no ducting system required. Exhausting air outside is optional, using either vertical or horizontal ducting system. (Refer to Ducted Option Specifications for outside ventilation.)
- For safe and proper installation, microwave MUST be mounted to BOTH a top cabinet AND a wall, and connected to at least one wall stud. Can NOT be installed in island or peninsula cabinet arrangements.
- Cabinet bottom MUST be level to insure proper installation.
- Cabinet MUST be capable of supporting a total load of 135 lbs.
- When installing beneath smooth, flat cabinets, refer to cabinet template for detailed power cord clearance instructions.
- If cabinet depth (including doors) is deeper than 13", unit MUST be spaced out from rear wall using adequate materials (supporting 150 lbs.) to allow proper

- top vent air exhaust/intake.
- Filler blocks recommended for installation when cabinet front hangs below recessed bottom shelf.
- Minimum distance of 30" required from cooking surface to bottom edge of top cabinet.
- Minimum distance of 66" required from floor to top of microwave.
- Opening between cabinets MUST be 30" wide and free of obstructions. For openings up to 36" wide, order optional 36" Filler Panel Kit to fill in gap between unit and cabinets.
- Allow 26" minimum clearance for 90° door swing.

DUCTED OPTION SPECIFICATIONS

- For outside ventilation.
- Exhaust duct adapter will be needed for outside ventilation, to mate with standard 3-1/4" x 10" rectangular duct. If round duct required, rectangular-to-round transition adapter will be needed with no less than 6" diameter.
- For most efficient airflow exhaust, use a straight run or as few elbows as possible with a maximum duct length of 3-1/4" x 10" rectangular or 6" diameter round duct, not to exceed 120 equivalent feet.
- For horizontal installation, be sure to allow enough space between wall studs to accommodate exhaust.
- Refer to installation instructions on web for detailed duct preparation and converting exhaust vent blower system for exterior exhaust ventilation.

