



# Microwave

## FPBM3077RF

### 30" Over-The-Range with Convection



#### Product Dimensions

Height	17-9/16"
Width	29-7/8"
Depth	16-1/16"

#### More Easy-To-Use Features

**PowerPlus™ 4-Speed Fan**  
Over-the-range microwave doubles as a hood and offers 4 levels of ventilation depending on your needs — turbo, high, medium and low. The fan is capable of moving up to 400 cu. ft. of air per minute.

**PowerBright™ Interior LED Light**  
See the power. See the results in action. LED interior microwave light stays on while your dish cooks.

**Adjustable Timer**  
Now you can adjust the cooking time of your dish while it's cooking. The adjustable timer allows you to add or remove 5 seconds on the timer.

#### Available in:



Stainless (F)

### Signature Features



#### 2-In-1 Convection Oven or Microwave

Bake more evenly with PowerPlus™ Convection or cook at microwave speed, all-in-one.



#### PowerBright™ Cooktop LED Light

Make meal preparation and cooking simple with LED lighting that offers a clear, bright view of your cooktop.



#### PowerSense™ Cooking Technology

Results you can trust. PowerSense™ Cooking Technology automatically senses ideal time and power levels.

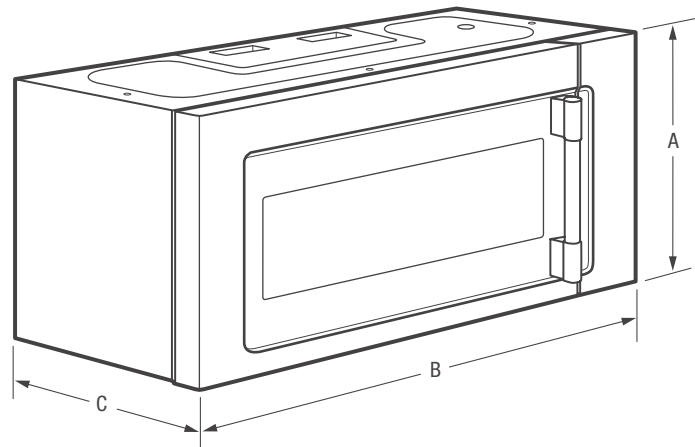


#### Smudge-Proof™

Resists fingerprints and cleans easily.

Features	
Control/ Timing System	Pro-Select*
Exterior Door Finish	Smudge-Proof™ Stainless Steel
Handle Design	Stainless Steel
Microwave Capacity (Cu.Ft.)	1.8
PowerPlus™ Convection	Yes
Watts (IEC-705 Test Procedure)	1,050
Interior LED Light	Yes
Interior Color	Stainless Steel
Turntable Diameter	14-3/16"
Turntable On/Off	Yes
Control Lock	Yes
Clock	Yes
Touch Pad Buttons	31
Power Levels	High (1-9)
Accessory Metal Rack	Yes (1)
Microwave Control Options	
Popcorn Button	Yes
Sensor Cook Button	Yes
Sensor Reheat Button	
Snack Button	Yes
Beverage	
Melt & Soften Options	4
Auto Reheat Options	5
Snack Menu Options	5
Auto Cook Options	9
Auto Defrost Options	3
Multi-Stage Cooking Option	Yes
Keep Warm	Yes
Add 30 Seconds	
Sensor Cooking Options	6
Sensor Reheat Options	5
Vegetable Cook Sensor	Yes
Delay Start	
User Preferences	Yes
Adjustable Timer	Yes
Ventilation System	
Ducted/Ductless Installation Option	Yes
Exhaust Fan (CFM)	4-Speed 170/400
Cooktop LED Light	2
Auto-Start Heat Sensor	Yes
Dishwasher-Safe Vent Filter (Ductless Installation)	Yes
Power Ratings	
Frequency (MHz)	2,450
Watts @ 120 Volts	1,071
Amps @ 120 Volts	14.3
Optional Accessories	
36" Stainless Steel Filler Panel Kit	PN# MWFILKTSS
Specifications	
Oven Interior (HxWxD)	9-15/16" x 21-1/4" x 14-23/32"
Power Supply Connection Location	Right Top Rear
Voltage Rating	120V / 60Hz / 15A
Connected Load (kW Rating) @ 120 Volts <sup>1</sup>	1.65
Minimum Circuit Required (Amps)	15
Shipping Weight (Approx.)	81 Lbs.

<sup>1</sup>For use on adequately wired 120V, dedicated circuit having 2-wire service with a separate ground wire. Appliance must be grounded for safe operation.



**NOTE:** For planning purposes only. Always consult local and national electric codes. Refer to Product Installation Guide for detailed installation instructions on the web at [frigidaire.com](http://frigidaire.com).



Product Dimensions		Cutout Dimensions	
A - Height	17-9/16"	Height (Min. from floor to top of unit)	66"
B - Width	29-7/8"	Width (Min.)	30"
C - Depth	16-1/16"	Depth (Min.)	12"
		Depth (Max.)	17"

Accessories information available on the web at [frigidaire.com](http://frigidaire.com)

## FRIGIDAIRE

USA • 10200 David Taylor Drive • Charlotte, NC 28262 • 1-800-FRIGIDAIRE • [frigidaire.com](http://frigidaire.com)  
 CANADA • 5855 Terry Fox Way • Mississauga, ON L5V 3E4 • 1-800-265-8352 • [frigidaire.ca](http://frigidaire.ca)

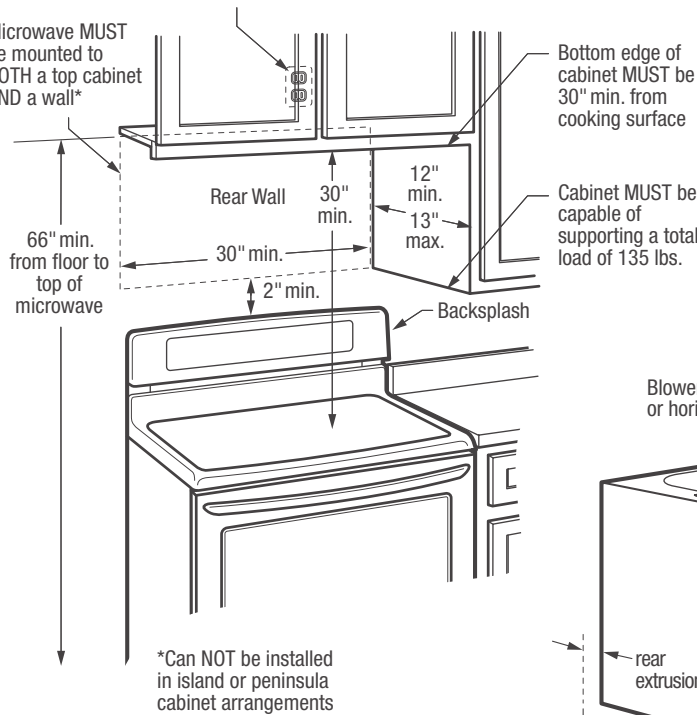
FPBM3077R 06/15

© 2015 Electrolux Home Products, Inc.

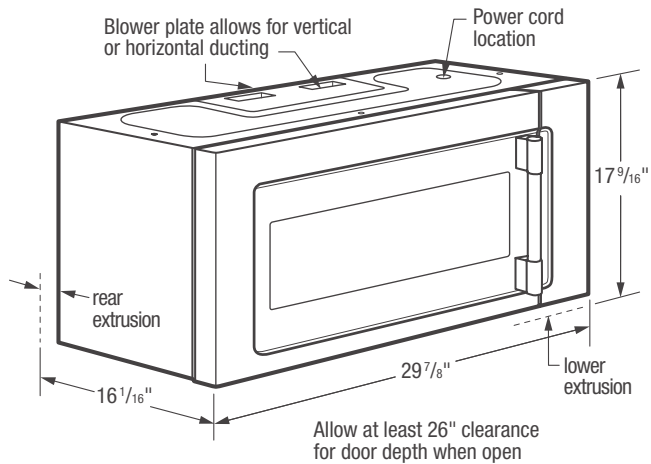
Specifications subject to change.

Locate 120V/60Hz grounded outlet inside upper cabinet

Microwave MUST be mounted to BOTH a top cabinet AND a wall\*



\*Can NOT be installed in island or peninsula cabinet arrangements



Allow at least 26" clearance for door depth when open

**Microwave Specifications**

- Product Shipping Weight (approx.) - 81 Lbs.
- Voltage Rating - 120V / 60 Hz / 15 Amps
- Connected Load (kW Rating) @ 120 Volts = 1.65kW (For use on adequately wired 120V, dedicated circuit having 2-wire service with a separate ground wire. Appliance must be grounded for safe operation.)
- Amps @ 120 Volts = 15 Amps
- Always consult local and national electric codes.
- Grounded outlet should be located in cabinet above, with hole in base to route power cord. Carefully follow top template instructions for power cord clearance when installing beneath smooth, flat cabinets.
- Microwave's exhaust ventilation system is preset to recirculate air inside with no ducting system required. Exhausting air outside is optional, using either vertical or horizontal ducting system. (Refer to Ducted Option Specifications for outside ventilation.)
- For safe and proper installation, microwave MUST be mounted to BOTH a top cabinet AND a wall, and connected to at least one wall stud. Can NOT be installed in island or peninsula cabinet arrangements.
- Cabinet bottom MUST be level to insure proper installation.
- Cabinet MUST be capable of supporting a total load of 135 lbs.
- If the cabinet depth (including the cabinet doors) is more than 13" then the unit must be spaced out from the wall using adequate materials supporting 150 lbs. to allow proper top vent air exhaust.
- Filler blocks recommended for installation when cabinet front hangs below recessed bottom shelf.
- Minimum distance of 30" required from cooking surface to bottom edge of top cabinet.

- Minimum distance of 66" required from floor to top of microwave.
- Opening between cabinets MUST be 30" wide and free of obstructions. For openings up to 36" wide, order optional 36" Filler Panel Kit to fill in gap between unit and cabinets.
- Allow 26" minimum clearance for 90° door swing.

**Ducted Option Specifications**

- For outside ventilation.
- Exhaust duct adapter will be needed for outside ventilation, to mate with standard 3-1/4" x 10" rectangular duct. If round duct required, rectangular-to-round transition adapter will be needed with no less than 6" diameter.
- For most efficient airflow exhaust, use a straight run or as few elbows as possible with a maximum duct length of 3-1/4" x 10" rectangular or 6" diameter round duct, not to exceed 120 equivalent feet.
- For horizontal installation, be sure to allow enough space between wall studs to accommodate exhaust.
- Refer to installation instructions on web for detailed duct preparation and converting exhaust vent blower system for exterior exhaust ventilation.

**Note:** For planning purposes only. Refer to Product Installation Guide on the web at [frigidaire.com](http://frigidaire.com) for detailed instructions.

**Optional Accessories**

- 36" Stainless Steel Filler Panel Kit - (PN# MWFILKTSS).

