



Freestanding Range

FPEH3077RF

30" Electric



Product Dimensions

Height (Min./Max.)	36-1/8" / 36-5/8"
Width	29-7/8"
Depth (Including Handle)	28-3/4"

More Easy-To-Use Features

SpacePro™ Bridge Element

2-in-1 cooktop element offers endless meal options. Cook two separate dishes at once, or combine two elements into one for large pots or griddle use.

Professional-Grade Design, Without the Remodel

Upgrade your kitchen and get the look of a built-in range, without the remodel. The range slides into 30" cutouts.¹

Built with American Pride

Designed, engineered and assembled in the U.S.A.

Keep Warm Zone

Consistently keep dishes warm until the rest are ready for a delicious meal, every day.

Convection Conversion

Automatically converts the convection oven to the ideal cooking time for evenly cooked dishes.

Sabbath Mode (Star-K® Certified)

Available in:



Stainless (F)

Signature Features



PowerPlus® Convection

Powerful performance delivers consistent results. Evenly cooked dishes, every time, with PowerPlus® Dual-Fan Convection Bake and Roast.



PowerPlus® Temperature Probe

Ensures great results the first time. Set and monitor dish temperature with the PowerPlus® Temperature Probe.



PowerPlus® Preheat

With PowerPlus® Preheat, your oven is ready in a few minutes for a powerful start to every delicious meal.



Smudge-Proof™

Resists fingerprints and cleans easily.

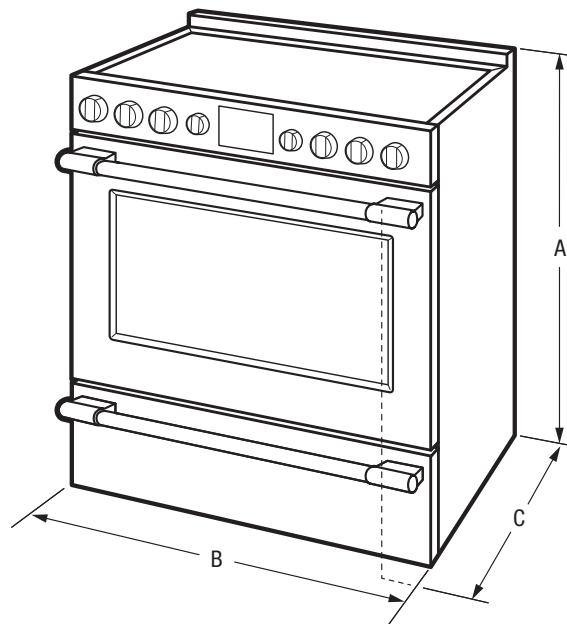
Elements	Size	Watts
Right Front	9" / 12" Expandable	1,800 / 3,000
Right Rear	6"	1,200
Left Front	7"	1,800
Left Rear	7"	1,800
Left Bridge	SpacePro™ Bridge	800
Center	Keep Warm Zone	100

¹Fits the cutout of a 30" freestanding range.

Features	
Oven Control/Timing System	PrecisionPro Controls™
Surface Type	Black Porcelain Glass
Window	Extra-Large with Black-Tint Finish
Exterior Door Finish	Smudge-Proof™ Stainless Steel
Handle Design	Stainless Steel
Exterior Finish (Side Panels)	Black
Convection System	PowerPlus® Dual-Fan Convection
Oven Cleaning System	Self Clean
Drawer Functionality	Storage
Oven Controls	
Bake/Broil	Yes/Yes
Effortless™ Convection Conversion	Yes
Convection Bake/Broil/Roast	Yes/No/Yes
PowerPlus® Convection	Yes
PowerPlus® Preheat	Yes
PowerPlus® Temperature Probe	Yes
Keep Warm	Yes
Self Clean	2, 3, 4 Hours
Rapid Clean Option	2 Hours
Kitchen Timer / Timed Cook Option	Yes (2) / No
Auto Oven Shut-Off	Yes
Cooktop Features	
Right Front Element (Watts)	SpaceWise® Expandable 9" / 12" - 1,800 / 3,000
Right Rear Element (Watts)	6" - 1,200
Left Front Element (Watts)	7" - 1,800
Left Rear Element (Watts)	7" - 1,800
Bridge Element (Watts)	SpacePro™ Bridge - 800
Center Element (Watts)	Keep Warm Zone - 100
Hot Surface / Element On Indicator Light	Yes/Yes
Oven Features	
Capacity (Cu. Ft.)	5.1
Oven Light	2
Hidden Bake Element	Yes
Rack Configuration	1 PowerGlide™, 1 Handle, 1 Offset
Baking System	Even Baking Technology
Bake Element / Broil Element (Watts)	2,200 / 4,000
Optional Accessories	
Griddle	PN # 316432200
Certifications	
A.D.A. Compliant ¹	Yes
Sabbath Mode (Star-K® Cert.)	Yes
Specifications	
Oven Interior (H x W x D)	18-5/8" x 24-1/8" x 19-1/2"
Power Supply Connection Location	Left Bottom Rear
Voltage Rating	240V / 208V / 60 Hz
Connected Load (kW Rating) @ 240 / 208 Volts ²	13.0 / 9.8
Minimum Circuit Required (Amps)	40
Shipping Weight (Approx.)	300 Lbs.

¹When properly installed, this model is A.D.A.-qualified based on the United States Access Board's A.D.A./A.B.A. Accessibility Guidelines and the Department of Justice's 2010 A.D.A. Standards for Accessible Design.

²Single phase 3- or 4-wire cable, 120/240 or 120/208 Volt, 60 Hertz AC only electrical supply with ground required on separate circuit fused on both sides of line.



NOTE: For planning purposes only. Always consult local and national electric codes. Refer to Product Installation Guide for detailed installation instructions on the web at frigidaire.com.



Product Dimensions		Cabinet Cutout Dimensions	
A - Height (Min./Max.)	36-1/8" / 36-5/8"	Height (Standard)	36"
B - Width	29-7/8"	Width (Min.)	30-1/8"
C - Depth (Including Handle)	28-3/4"	Depth (Min.)	24"
Depth with Door Open 90°	46"		

Accessories information available on the web at frigidaire.com

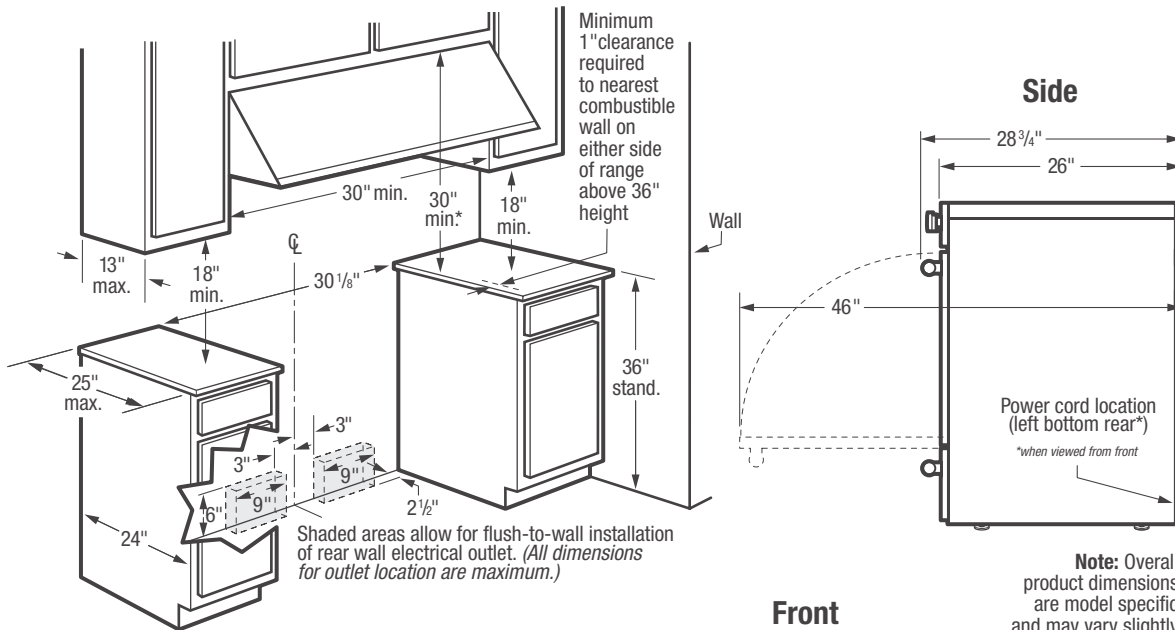
FRIGIDAIRE

USA • 10200 David Taylor Drive • Charlotte, NC 28262 • 1-800-FRIGIDAIRE • frigidaire.com
 CANADA • 5855 Terry Fox Way • Mississauga, ON L5V 3E4 • 1-800-265-8352 • frigidaire.ca

FPEH3077R 11/15

© 2015 Electrolux Home Products, Inc.

Specifications subject to change.



***Note:** 30" minimum clearance between top of cooking surface and bottom of unprotected wood or metal overhead cabinet; or 24" minimum clearance when bottom of wood or metal overhead cabinet is protected by not less than 1/4" flame-retardant millboard covered with not less than No. 28 MSG sheet steel, 0.015" stainless steel, 0.024" aluminum or 0.020" copper. 0" clearance is minimum for rear of range. Follow all dimension requirements provided above to prevent property damage, potential fire hazard, and incorrect countertop and cabinet cuts.

Note: Overall product dimensions are model specific and may vary slightly from illustration. Refer to model's product specifications for actual dimensions.

Freestanding Range Specifications

- Product Shipping Weight (approx.) - 300 Lbs.
- Single phase 3- or 4-wire cable, 120/240 or 120/208 Volt, 60 Hertz, fused on both sides of line with ground.
- Connected Load (kW Rating) @ 240/208 Volts = 13.0/9.8kW
- Recommended Circuit Breaker - 40 Amps
- Always consult local and/or national electric codes.
- Make sure wall coverings around range can withstand heat generated by range.
- Linoleum or any other synthetic floor covering located beneath range, must be capable of withstanding minimum heat of 90°F above room temperature without shrinking, warping or discoloring. Insulating pad or 1/4"-thick plywood required between range and a carpeted floor.
- Floor beneath range MUST be solid and level.
- Overhead cabinetry should not exceed a 13" maximum depth.
- Absolute minimum horizontal distance between overhead cabinets installed to either side of appliance must be no less than maximum width of appliance.

- Range can be installed flush to wall with 0" minimum rear clearance.
- Minimum 1" clearance required from edge of rangetop to nearest combustible wall on either side of range above 36" height.
- Allow 30" minimum clearance between top of cooking surface and bottom of unprotected wood or metal overhead cabinet; or 24" minimum clearance when bottom of wood or metal overhead cabinet is protected by not less than 1/4" flame retardant millboard covered with not less than No. 28 MSG sheet steel, 0.015" stainless steel, 0.024" aluminum or 0.020" copper.
- To reduce risk of fire when using overhead cabinetry, install range hood that projects horizontally a recommended minimum of 5" beyond bottom of cabinets.
- Follow all dimension requirements provided to prevent property damage, potential fire hazard, and incorrect countertop and cabinet cuts.

Note: For planning purposes only. Refer to Product Installation Guide on the web at frigidaire.com for detailed instructions.

Optional Accessories

- Griddle - (PN # 316432200).

